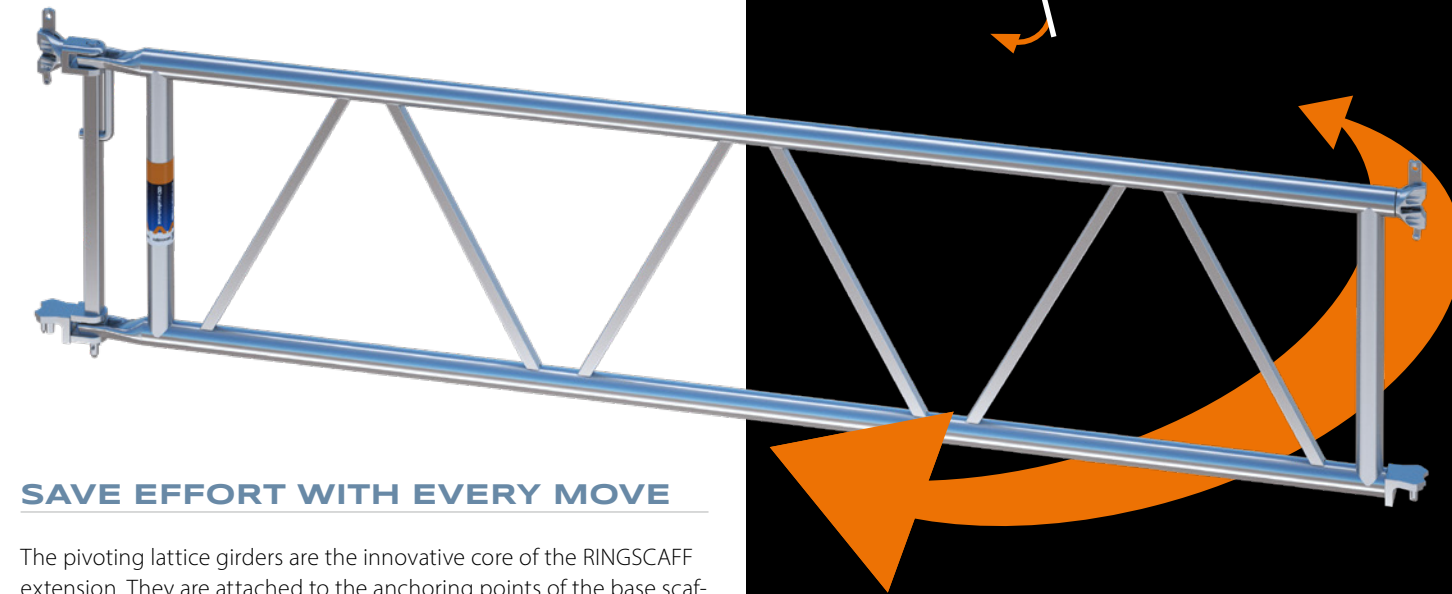


THE LOGIC OF SIMPLICITY

You know from your everyday work that the simpler the steps, the safer the set-up. In addition, the speed increases and with it the efficiency. This is exactly what RINGSKAFF SKY is designed for. The platform is built from the basic standing scaffold. The sequence of actions always remains the same, even as the expansion of the working level progresses. The platform can be extended in all directions ... regardless of flowing traffic or continuing production processes deep underneath.



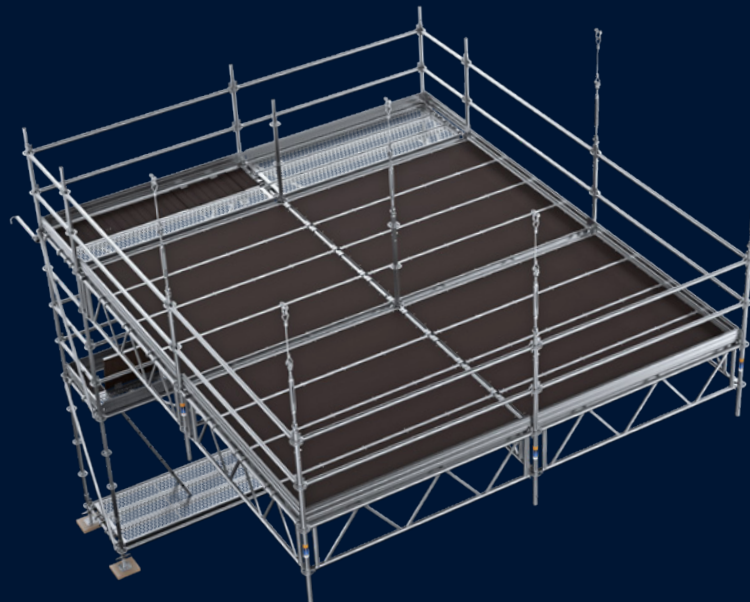
SAVE EFFORT WITH EVERY MOVE

The pivoting lattice girders are the innovative core of the RINGSKAFF extension. They are attached to the anchoring points of the base scaffold using an adapter and then folded out smartly after the suspension verticals have been attached on the free ends. Now the decking can easily be installed piece by piece. After the guardrails or the end ledger have been installed on the suspension verticals, the latter have to be connected to the suspension points above the platform. Ready. From here on a new sector of the platform can be installed.

**SCAFOM-RUX
YOUR PARTNER IN SCAFFOLDING**

Scafom-rux is a manufacturer, distributor, and rental supplier of premium quality scaffolding solutions. Our entire team is dedicated to understanding the needs and requirements of scaffolding professionals in construction and industries like oil & gas, shipbuilding, mining, chemical and more. Complemented by additional services like professional training or technical engineering, we can provide advice and expertise to find the best possible solution for every scaffolding project worldwide.

STRONGER. TOGETHER.



Are you interested in RINGSKAFF Sky and how it helps you to take your projects to the next level? Then write us a mail at sales@scafom-rux.com.

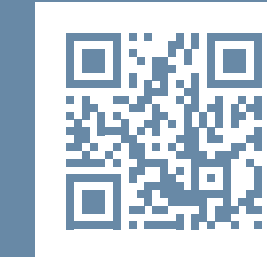
SCAFOM-RUX.COM

Scafom-rux Holding
De Kempen 5 · 6021 PZ Budel · The Netherlands
T +31 495 497 204 · info@scafom-rux.com



SWINGING INSTEAD OF CLIMBING
RINGSKAFF SKY
SUSPENDED SCAFFOLD

TECH INFO RINGSKAFF SKY | 2023-01-EN



SMART CLIP



APPLICATION

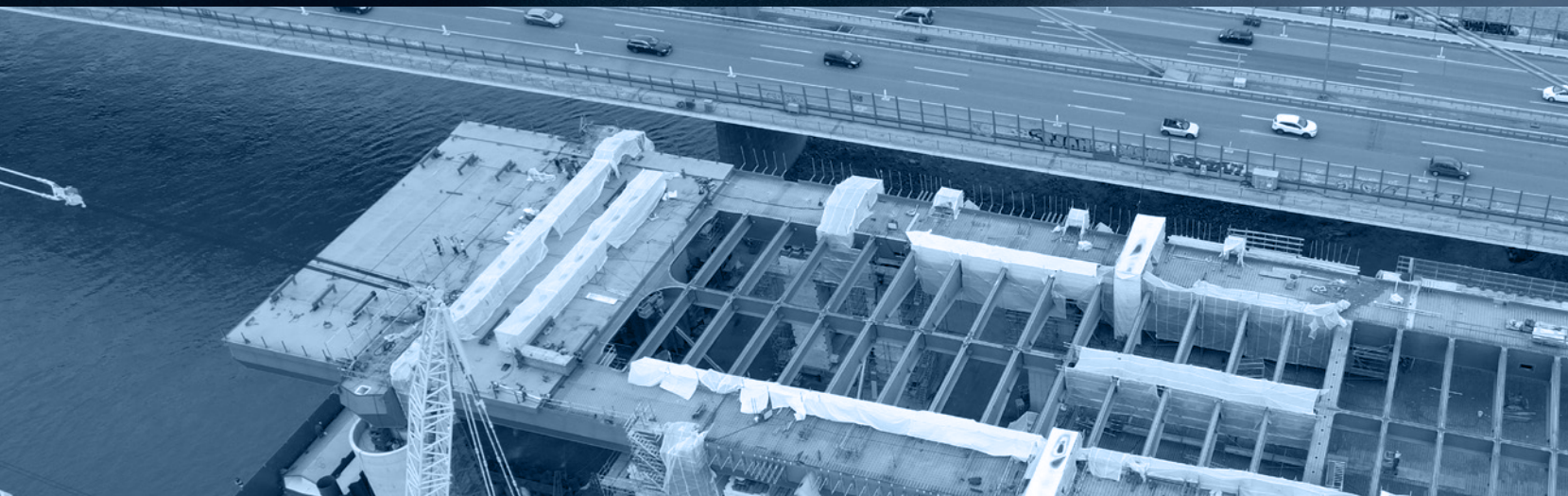
RINGSKAFF SKY is a cost efficient suspended scaffold consisting of basic components of the established RINGSKAFF modular scaffolding system. Maintenance and repair work on bridges, industrial plants, piperacks and more can be carried out safely because it offers a stable working platform that eliminates the need for risky climbing or the attachment under the working floor. With just a few components, RINGSKAFF SKY is quick and easy to assemble and requires only a few suspension points.

SYSTEM Modular scaffold RINGSKAFF and compatible systems

DIMENSIONS Optimized for 2.57 m grids, optional 3.07 m and metric sizes

STRONGER. TOGETHER.





USE

RINGSKAFF SKY can be used for a variety of purposes. The innovative system is always used where the undersides of objects have to be processed or where local conditions or regulations do not allow the assembly of classic volume scaffolding (pipes, machines, underground, ...)

- Bridges
- Ceiling renovations
- Industry
- Oil & Gas
- Shipyards
- Offshore

ADVANTAGES

SMART AND SAFE
The advantages of RINGSKAFF SKY are obvious. Less work steps, less material volume and the whole construction is also extremely safe.

FASTER AND EASIER
Up to 50% faster assembly and dismantling than traditional suspended scaffolds thanks to few parts and simple design. Less suspension points.

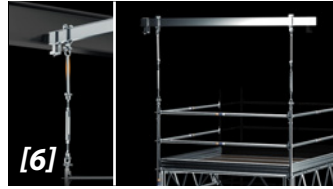
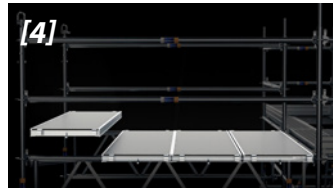
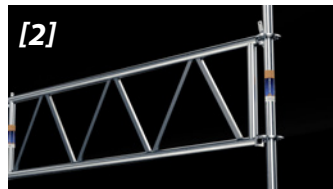
SAFER AND STABLE
Always standing on stable ground, no climbing or attaching components underneath the working floor = a closed, solid work platform.

LOW INVESTMENT
Use of many standard components from own stock. Savings in time and labour.

LESS EQUIPMENT
The material supply via the workplatform makes the assembly efficient and effective.

LOW WEIGHT
The individual components are weight-optimized, all components can be assembled by a team of two.

SIMPLE AND FOOLPROOF
No risk of forgetting connection parts like small pins, tie wraps, bolts, etc.



ACTION STEPS

[1] The SKY-Swing Girder is inserted into a RINGSKAFF rosette at the mounting level and the wedge is hammered into the rosette 50 cm higher to form a rigid connection.

[2] Assembly of the end standard.

[3] Unfolding both lattice girders (right and left). Guardrails are attached for safety.

[4] The scaffold decks are then placed on the lattice girder.

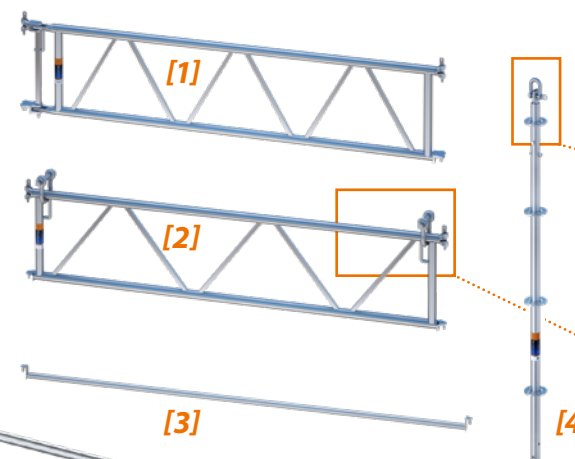
[5] Assembly of the end girder.

[6] Finally, assembly of the fastening equipment and leveling of the platform via e.g. steel cable spanners.

A FEW SPECIAL COMPONENTS

The suspension scaffold requires very few special components. All other parts come from the RINGSKAFF standard range and, ideally, are already in your material pool.

- [1]** The SKY swing girder 2.57 m (3.07 m)
- [2]** End girder 2.57 m (3.07 m)
- [3]** Horizontal diagonal 2.57 m x 2.57 m (3.07 m)
- [4]** Suspension end standard with spigot

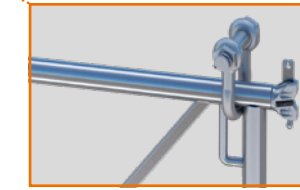


FASTENING THE PLATFORM

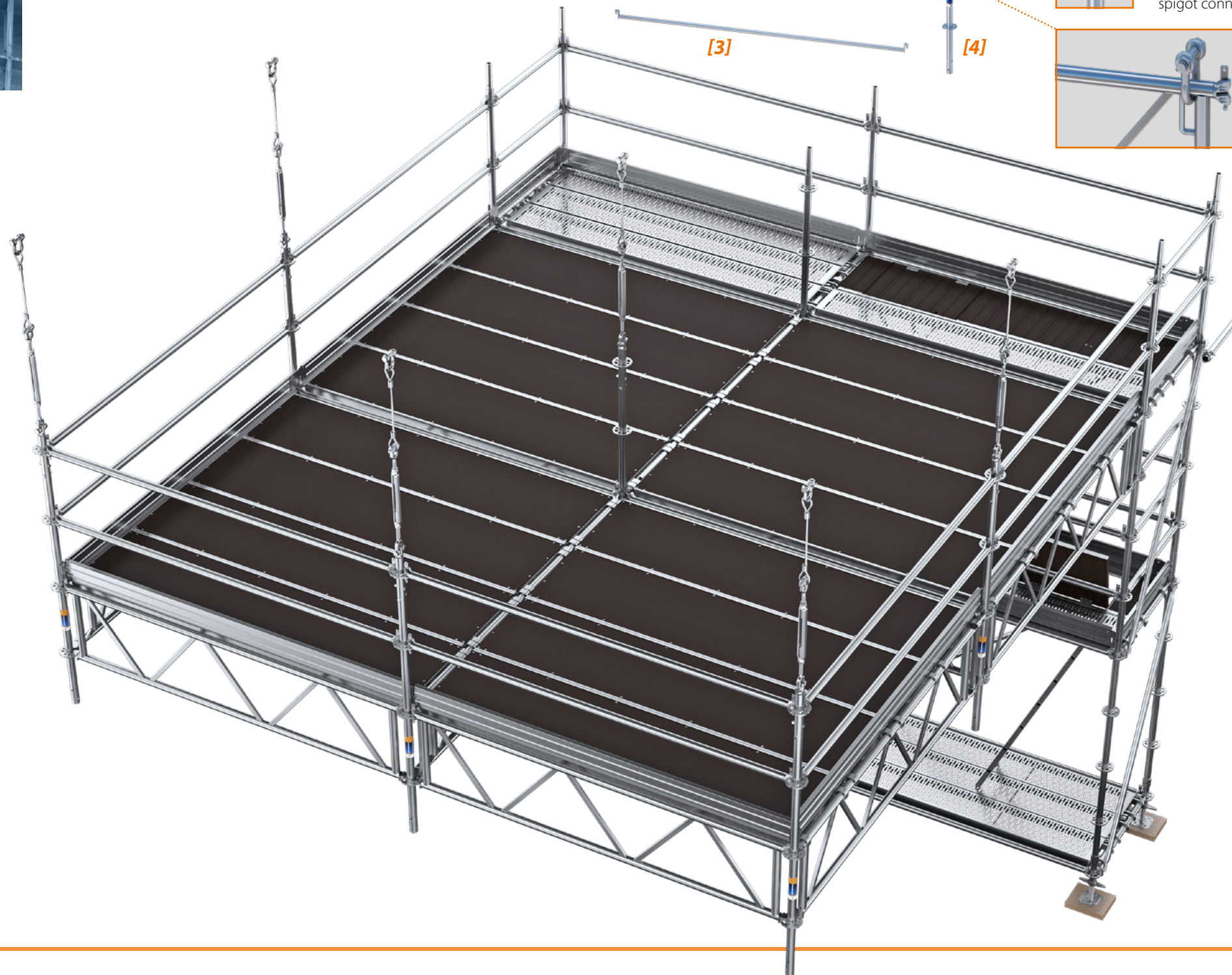
The user has 2 possibilities for fastening the platform. These depend on which fastening equipment is the best solution for your project.



The suspension end standard is mounted before the lattice girder is swung out and folded out with it. The desired fastening material can then be mounted on the special spigot connector.



The end lattice girder is mounted on the two end standards after all the platform decks have been laid down. Shackles for the fastening equipment are part of the component.

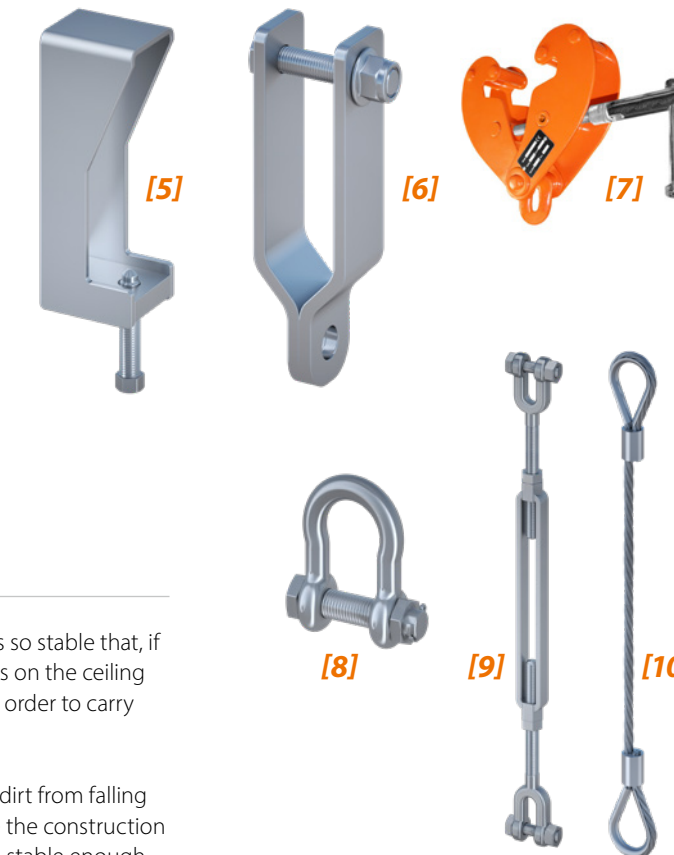


STANDARD CONNECTING ITEMS

The platform is attached to the object by connecting the suspension end standard or the end lattice girder to the provided suspension points. In most cases these are HEB or IPE-beams.

To attach the suspension equipment to the (steel) structures above various devices can be used:

- [5]** End beam clamp
- [6]** Suspension clamp
- [7]** Girder clamp (third party product)
- [8]** Shackles
- [9]** Turnbuckle
- [10]** Steel cable



EXTRAORDINARY STABILITY

The construction of RINGSKAFF SKY is so stable that, if necessary, individual anchoring points on the ceiling or bridge girder can be dismantled in order to carry out work at these contact points.

For weather protection or to prevent dirt from falling down, it is often necessary to enclose the construction site with tarpaulins. RINGSKAFF SKY is stable enough to subsequently pull in such tarpaulins when the scaffolding is already suspended by gradually loosening and refastening the anchor points.

